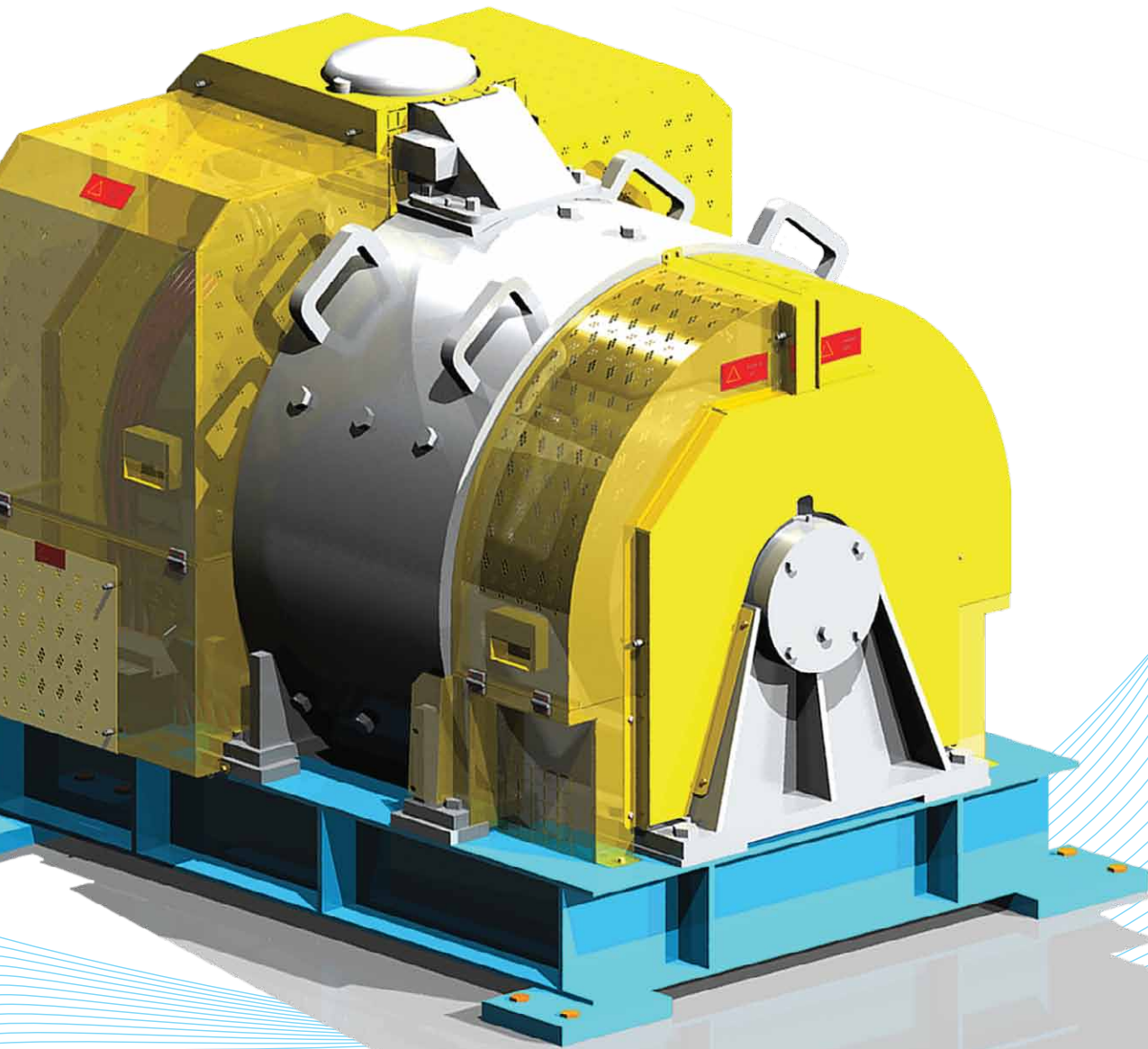


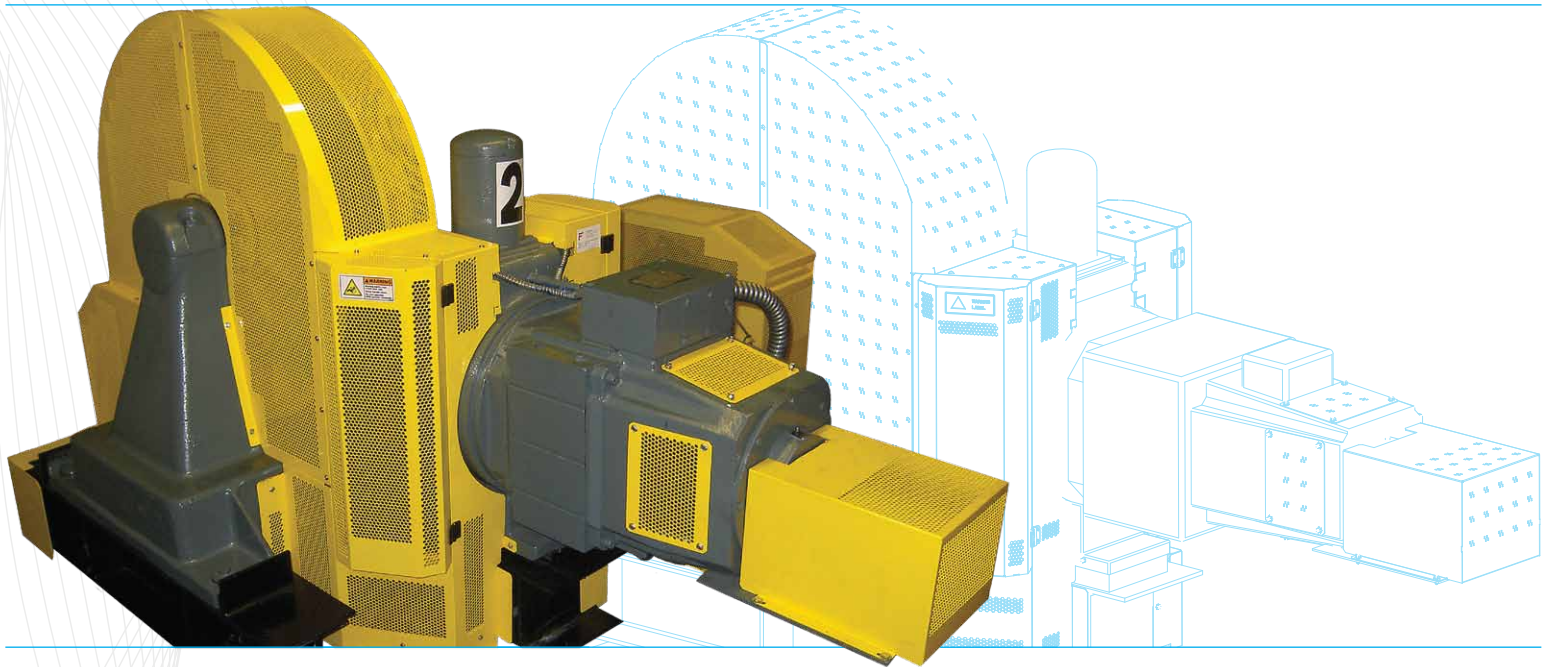
ELEVATOR MACHINE GUARDING





ELEVATOR MACHINE GUARDING

GEARED . GEARLESS . SECONDARY



FLAVESCO INC.

The elevator guarding solution of choice, with no impact on ease of servicing. Flavesco products meet all the elevator machine guarding needs with easy access and ultimate safety. From mechanical to industrial design, Flavesco has the right people, tools, experience and motivation to deliver a quality product, on time. Flavesco reinforces commitment to customer satisfaction with ISO 9001:2008 certification.

OUR VISION

As the leader in custom machinery guarding, Flavesco is aggressively expanding into the elevator machine guarding market. Our guarding solutions are based on a modular approach; close fit, lightweight guarding designed specifically for each machine type. Our guarding solutions fit within the footprint of

the machine so tight space is something that doesn't affect us. Imagine a solution that does not affect access to the machine or any other equipment around it. Safety with no impact on ease of maintenance.

GUARDING DESIGN STANDARDS

- Mechanical design requirements based on CSA standard Z432-04 "Safeguarding of Machinery"
- "Elevator Machine Room Equipment Guarding" by MOL & Industry Stakeholders

ADDITIONAL GUIDELINES

- CSA C22.2 No.0.4-04 Bonding of Electrical Equipment
- CSA C22.2 No.0-M91 General requirements
- Canadian Electrical Code, Part II

PRODUCT DESIGN PROCESS

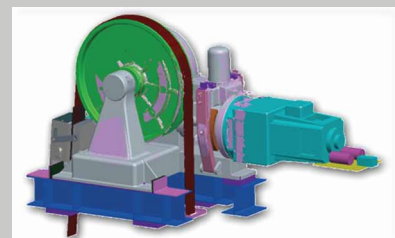
Assess



Scan



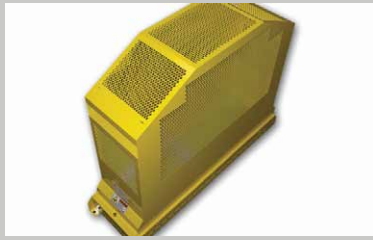
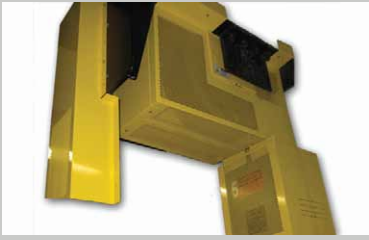
Model



Design



SECONDARY & ACCESSORIES



In addition to the main machine guard, we supply guarding for the governors, generators as well as equipment in the secondary. Lightweight, simple to install and user friendly for equipment servicing. Our guarding solution provides a full solution with no impact on time required for regular maintenance activities. Our team will inspect your site and offer a tailored solution for your needs for any type of equipment that requires guarding.

GUARDING MATERIAL

- Plated cold rolled steel
- Cluster punched panels enable excellent visibility through guarding
- Safety yellow powder coat on all parts
- RoHS compliant hardware
- Fasteners: stainless steel or zinc plated steel
- Hinges: zinc cast or steel, plated
- Panel fasteners meet “service area access” UL 1950 standard requirements
- One year warranty on all manufacturing defects
- Warning labels as per ANSI standard

SIMPLE INSTALLATION

- Imperial size fasteners standardized to the minimum number of different sizes for simplified installation
- Self tapping fasteners used for frame attachment; fast and secure
- Our design team has placed simplicity of the installation as the top design priority. Guarding panels are attached directly to frames whenever possible. By using a frame design approach we achieve simple installation that reduces machine down time to the minimum (2-4h typical installation time).
- Guarding delivered partially preassembled
- Full colour installation manual

INCLUDED WITH GUARDING SETS

- Installation drawings
- Guarding documentation package for TSSA submission
- Compliance guarantee
- Full support for your crew during installation at no charge

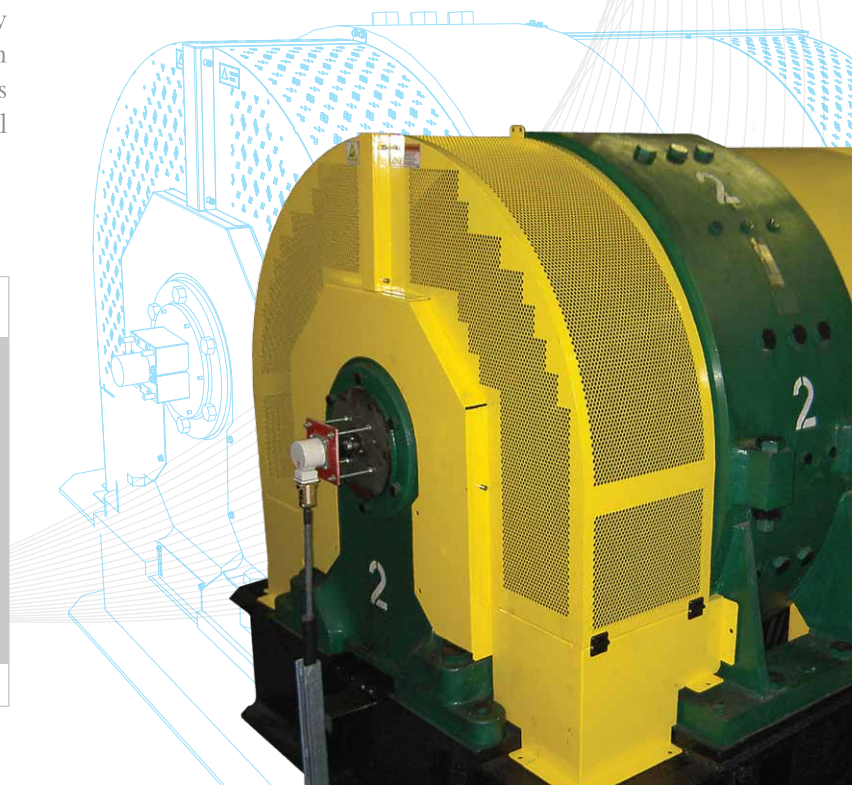
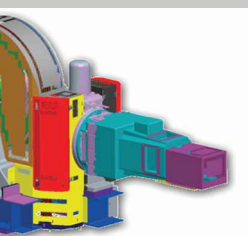
MAINTENANCE ACCESS

Fixed panels are provided for locations that do not require frequent maintenance work.

Hinged or removable panels enable easy access to areas that require regular checks/maintenance (brake pads, grease fittings, motor brushes).

Openings on motors and generators are protected with hi-flow vented panels.

Install





FLAVESCO INC.

21 Antares Drive, Suite 101
Ottawa, Ontario K2E 7T8
Canada

T: 613.224.0505

F: 613.226.7965

Toll-free: 1.877.441.0505

info@flavesco.com

www.flavesco.com